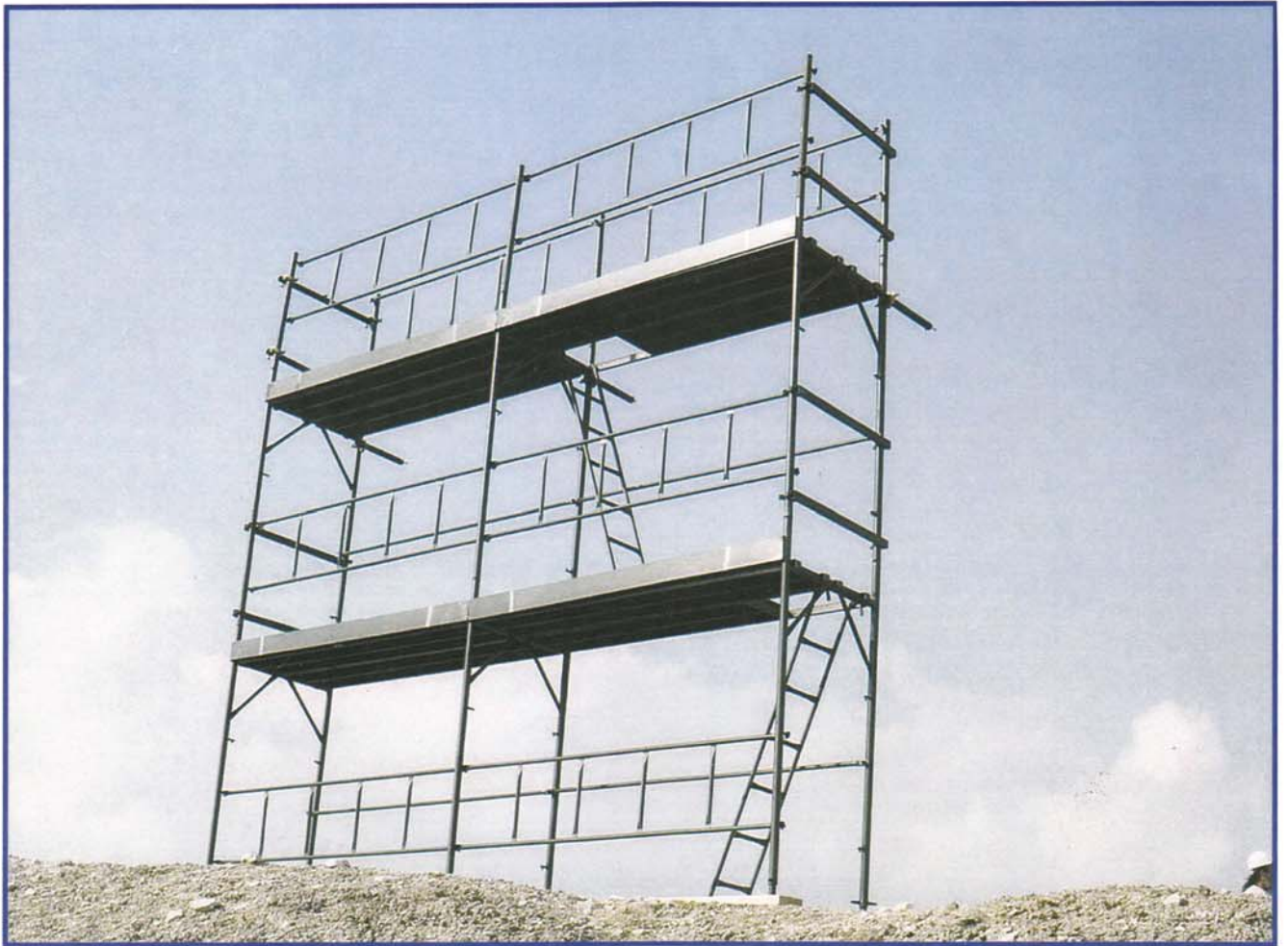
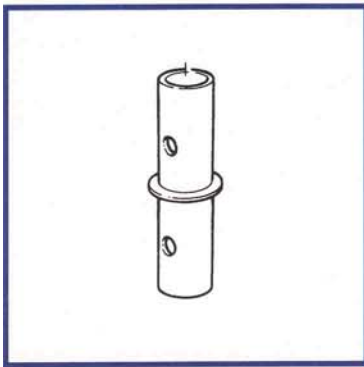


# Wellmax Metal Pressings

WELLMAX PLASTICS



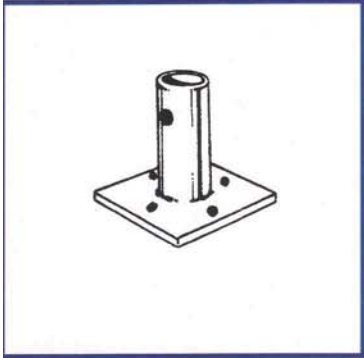
# SCAFFOLDING



### CONNECTOR

Mass 0.33 kg

Connecting device, used for joining two standards together.



### BASE PLATE 50 x 50

Mass 1.31 kg

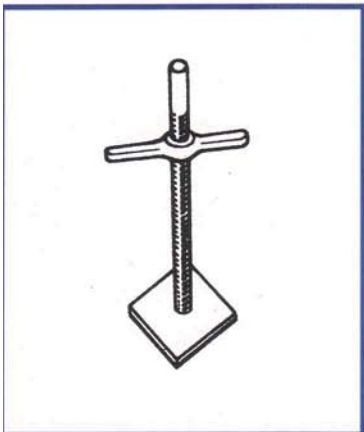
Plate for distributing the load from a standard in inclines strut over the bearing surface.



### “U” HEAD BASE JACK 0.6

Primarily used to support beams.

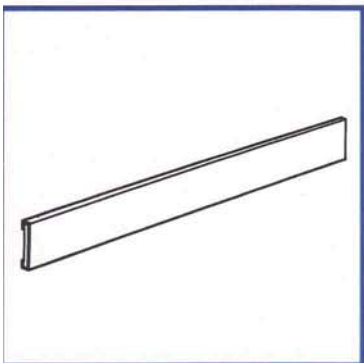
Mass: 6.90 kg



### BASE JACK

Used to provide individual adjustment to height.

Mass: 3.78 kg



### TOEBOARD

Size	Mass
0.9m	4.5 kg
1.219m	5.58 kg
1.5m	6.74 kg
2.0m	9.19 kg
2.5m	11.59 kg

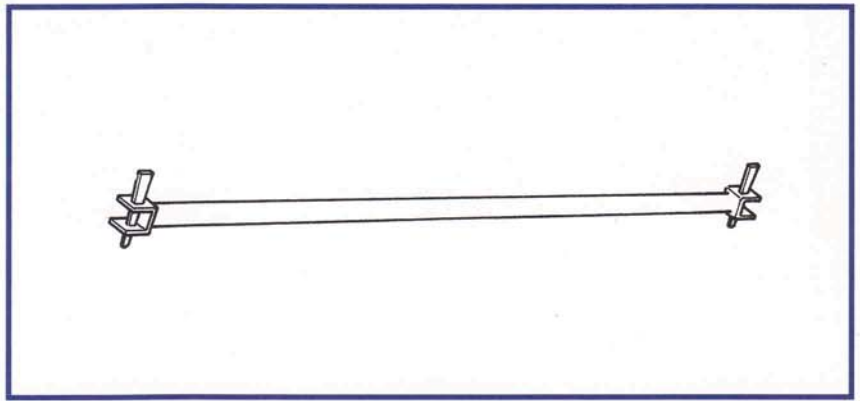
Barrier along the sides and ends of a platform and intended to prevent tools, materials and workers from slipping or falling off the platform.

## LEDGERS / TRANSOMS

Size	Mass
0.9m	3.20 kg
1.219m	4.17 kg
1.295m	4.39 kg
1.5m	5.3 kg
2.0m	6.8 kg
2.5m	13.10 kg

Longitudinal horizontal member fixed to the standards.

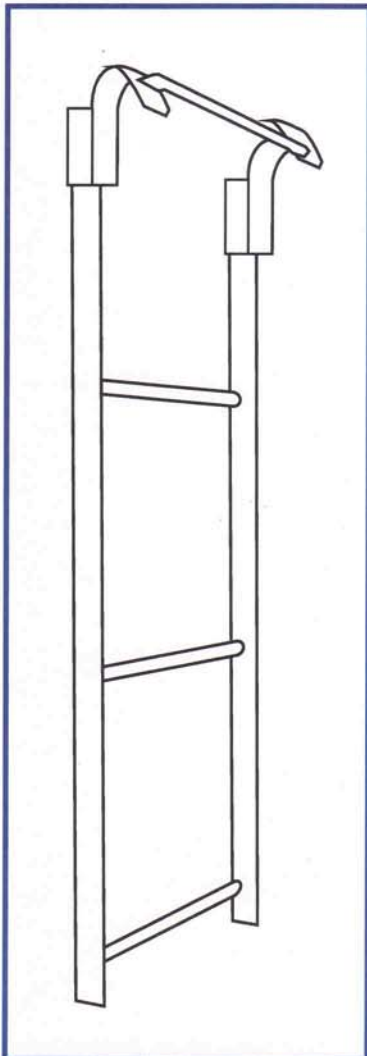
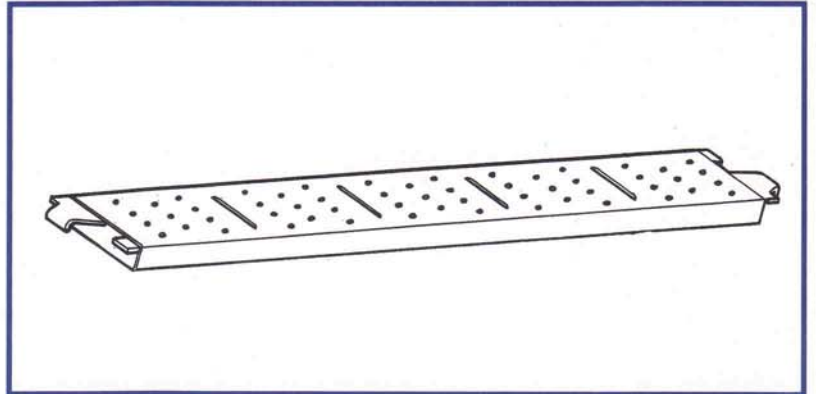
TUBE 48,4 O/D X 3,2 W/T



## HOOK-ON STEELBOARD

Size	Mass
0.9m	7.57 kg
1.219m	9.39 kg
1.5m	11.23 kg
2.0m	14.35 kg
2.5m	18.54 kg

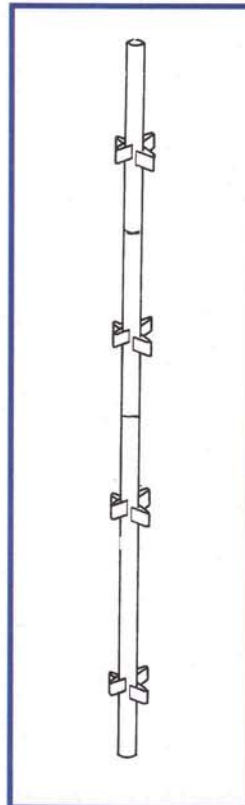
Runs parallel to ledgers and is supported by transoms.  
Serves as a solid surface for working on.



## LADDER HOOK-ON

Size	Mass
1m	9.93 kg
2m	17.49 kg
3m	27.65 kg

Provides an access route through the inside of the scaffold. Runs parallel to standards.



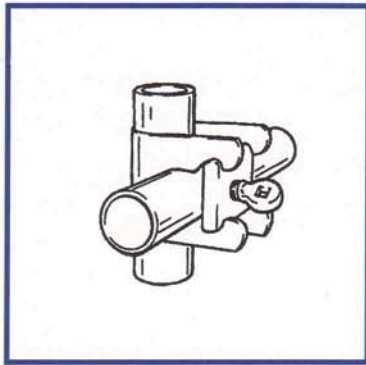
## STANDARDS

Size	Mass
0.5m	3.20 kg
1.0 m	5.55 kg
1.5 m	7.70 kg
2.0m	9.82 kg
2.5m	13.10 kg
3.0m	15.23 kg
3.5m	18.23 kg
4.0m	19.91 kg

Vertical member used in the construction of tubular scaffolding for transmitting a load to the base plate or back jack.

TUBE 48,4 O/D X 3,2 W/T





### **BAND AND PLATE COUPLER (SET)**

50 X 50 COUPLER BAND

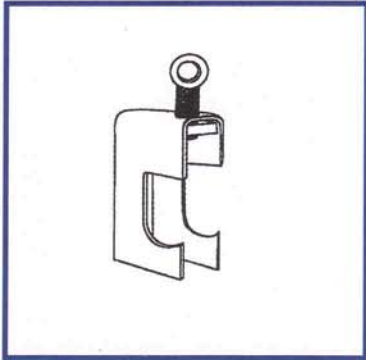
S.WL: 6.25 kN

Mass: 1.39 kg

COUPLER SCREW PLATE

Mass: 0.72 kg

Used for securing two tubes in parallel or at right angles to each other.

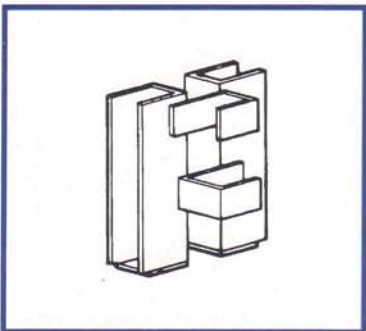


### **DH COUPLER**

S.WL: 1.25 kN

Mass: 1.21 kg

Used for securing two tubes at right angles to each other.



### **TOEBOARD CLIP**

Mass: 1.7 kg

Used for securing toeboards to platforms.



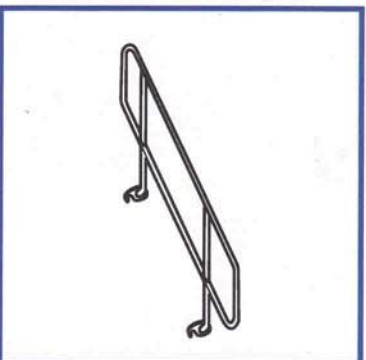
### **STAIRCASE**

Size: Mass:

2500 x 2000 x 600 53.00

2500 x 2000 x 900 57.00

Staircases hook onto a 2500 x 2000 grid and provide a safe stairway between working platforms.



### **HAND RAIL**

Mass: 1.7 kg

Handrails provide a safe handrail to the Staircase.